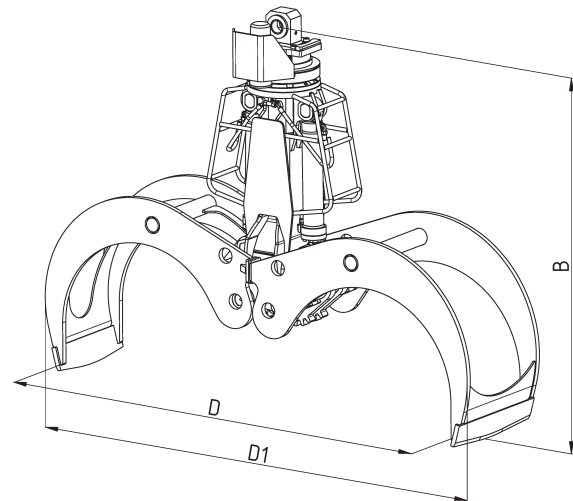
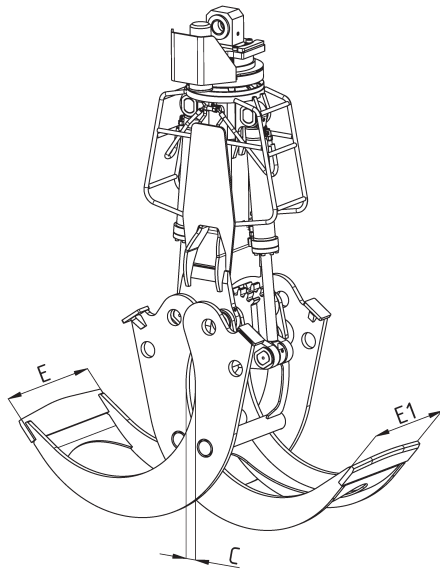
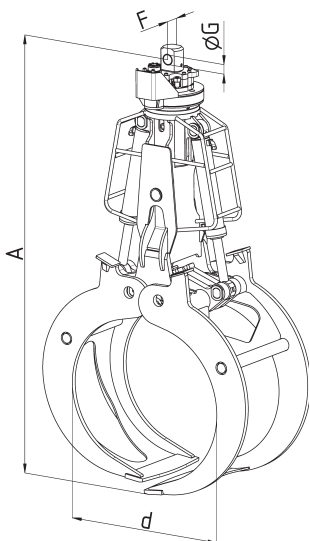


Series|TG5.6

Excavator weight class: up to 80 t
Wood loading grab



Type	Capacity (m ²)	Weight (kg)	Width (mm) E / E1	max. log length (m)	Dimensions (mm)							
					A	B	C	d	D	D1	F	G
TG5.6-1250-B	1.25	2200	840/700	10	3280	2480	100	1280	2825	3060	149	80
TG5.6-1500-B	1.5	2240	840/700	8	3405	2525	120	1390	3055	3320	149	80
TG5.6-1750-B	1.75	2300	840/700	8	3520	2565	140	1510	3275	3550	149	80
TG5.6-2000-B	2.0	2350	840/700	7	3630	2600	150	1590	3485	3750	149	80
TG5.6-2500-B	2.5	2470	840/700	6	3900	2695	170	1810	4000	4250	149	80



Technical specifications|TG5.6

Excavator weight class	t	up to 80
Max. grab load bearing capacity	t	Grab: 12 / slewing gear: 26
Max. operating pressure	bar	350 (grab function) / 140 (turning function)
Max. speed	RPM	10



|Use: Mobile and chain excavators

Orange peel grab for logs and round timber. Due to the shape of the tines, the TG4.6 wood grab can easily pick up one or more logs of different diameter from the ground, a stack or truck and confidently hold and handle them.



|Design features

- Continuously rotatable hydraulic slewing gear
- Base edges made of high-strength fine-grain steel (HB 500)
- Lifting cylinder with dampened end position
- Hose protective plates for the hydraulic connections on the slewing gear
- Ram protection for the cylinder hydraulics
- Clamshell shape B (box) – Vertical inner claws

|Available accessories and equipment

- Hose set and mounting for all known excavator manufacturers
- Load hooks
- Cylinder protective cover
- HD version with reinforced slewing gear
- Customized and special shells according to customer specifications such as W-shaped shell (railcar unloading) – vertical outer claws
- Additional special equipment upon request