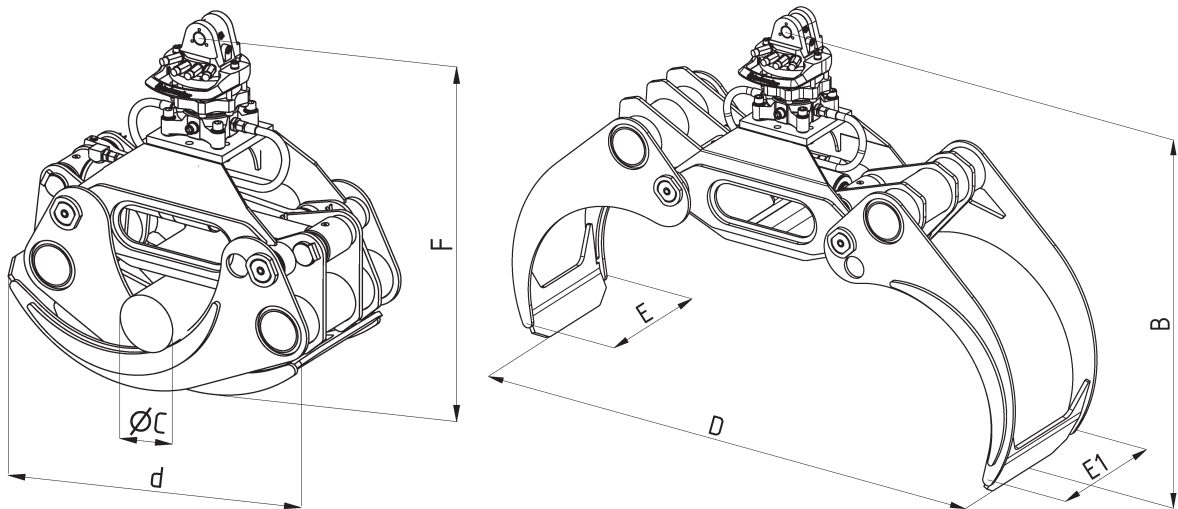
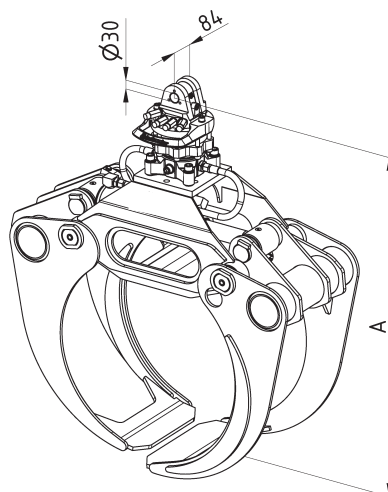


Series|TG1

Excavator weight class: up to 7 t
Wood loading grab



Type	Content (m ²)	Weight (kg)	Dimensions (mm)						
			A	B	C	d	D	E/E1	F
TG1-280	0.28	185	1060	980	90	795	1280	335 / 375	755
TG1-350	0.35	235	1190	1115	100	885	1950	470 / 520	800



Technical specifications|TG1

Excavator weight class	t	up to 7
Max. grab load bearing capacity	t	Grab: 4 / slewing gear: 4
Max. operating pressure	bar	250 (grab function) / 250 (turning function)
Max. speed	RPM	12



|Use: Miniexcavator

Orange peel grab for logs and round timber. Due to the shape of the tines, the TG1 wood grab can easily pick up one or more logs of different diameter from the ground, a stack or truck and confidently hold and handle them.



|Design features

- Continuously rotatable hydraulic compact rotary motor
- Complete grip made of high-strength fine-grained steel (HB 450)
- Flat, compact design
- Hose hoop guard for the hydraulic connections on the slewing gear
- The hydraulic lines and synchronized control run protected in the arm

|Available accessories and equipment

- Hose set and mounting for all known excavator manufacturers
- Load hooks
- Customized and special shells according to customer specifications
- Additional special equipment upon request