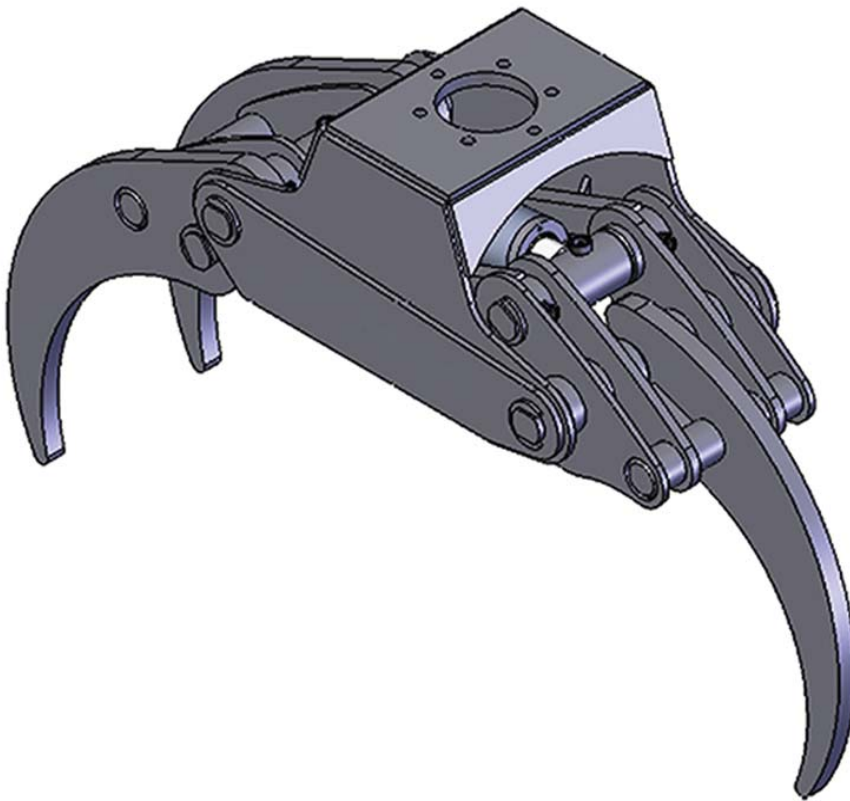
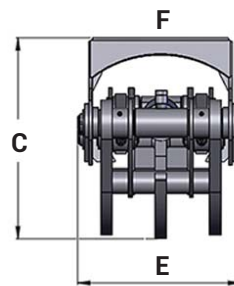
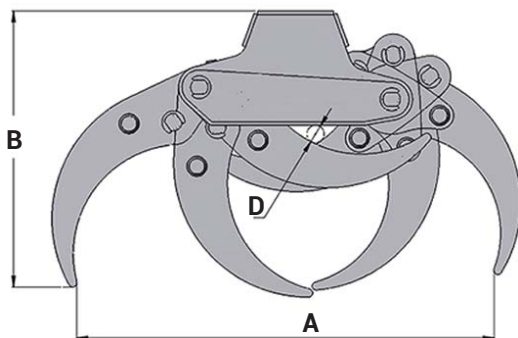


# TIGERGRIP / TG 25 SR3



## KEY FEATURES

- Heavy duty
- Double guide bars
- Optimized roll in/roll out properties
- High pressure cylinder with double piston rod seals
- High tensile wear resistant steel (400 HB)
- Extra reinforced body for rigid mounting - Excavator design



<b>A</b>	1203
<b>B</b>	796
<b>C</b>	520
<b>D</b>	50
<b>E</b>	423
<b>F</b>	173/6

## MODEL SPECIFICATIONS



TG 25 SR3	190	0,25	250	50	12,6	8	3	10				
-----------	-----	------	-----	----	------	---	---	----	--	--	--	--

# INTERMERCATO

High performance lift and load attachments for Forestry, Transport, Construction and Recycling.

