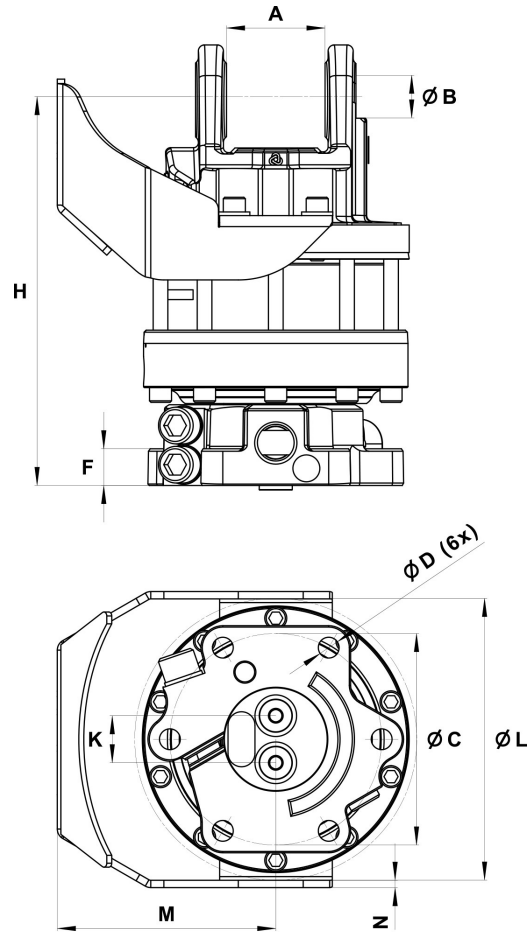
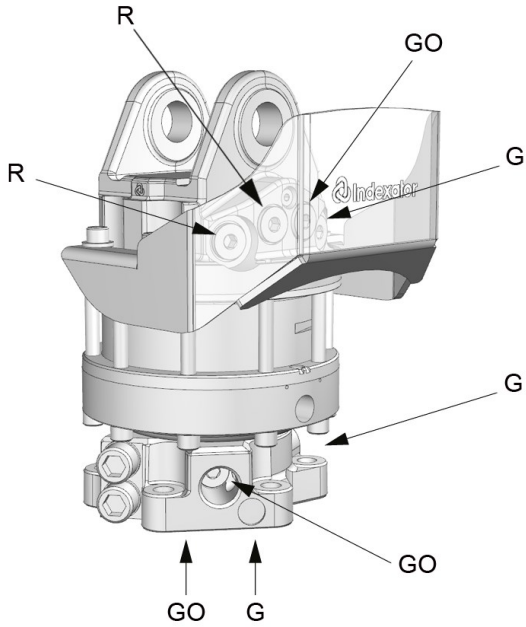


GV 12 Y XL

Part No.: 5120003

- Protected Hose Routing



Upper connection	Lower connection
G 1/2	G 1/2

A: 80,5 mm	B: Ø35 mm	C: Ø173 mm	D: Ø17 mm	F: 30 mm	H: 317 mm	K: 38,5 mm	L: Ø229 mm	M: 179 mm	N: 6 mm
---------------	--------------	---------------	--------------	-------------	--------------	---------------	---------------	--------------	------------

		Max 	Max 		Max 	Max 	Max 	Max
55.9 kg	360°	100 kN	50 kN	2200 Nm	25 l/min	25 MPa	25 MPa	25 MPa

Adapter sets are available for alternative connections.

For further technical information relating to integration and hydraulic connections, please contact rotator@indexator.com