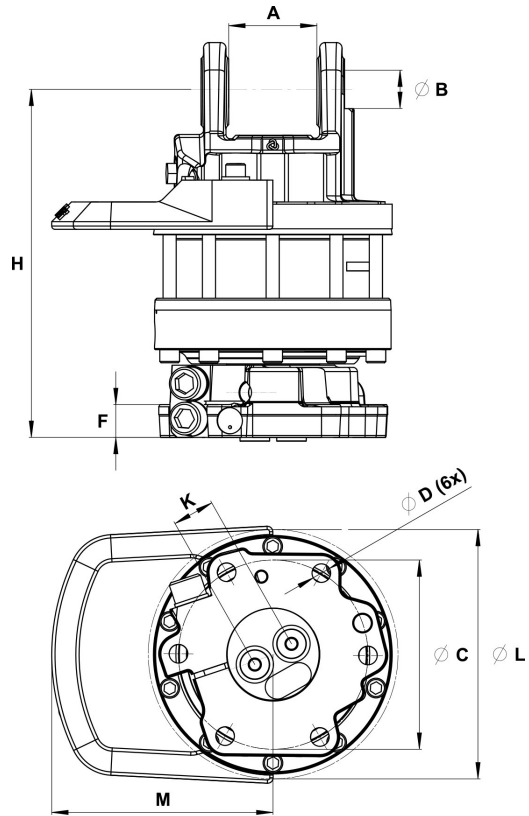
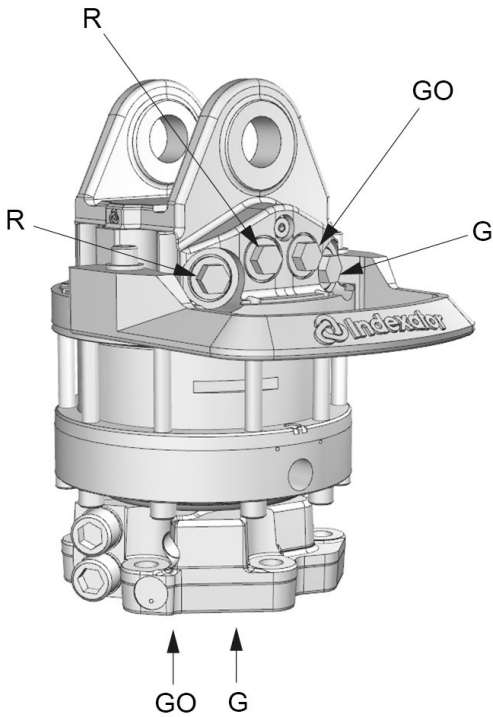











GV 12 A

Part No.: 5212050



| Upper connection | Lower connection |
|------------------|------------------|
| G 1/2 | G 1/2 |

| | | | | | | | | |
|---------------|--------------|---------------|--------------|-------------|--------------|---------------|---------------|--------------|
| A: 80,5 mm | B: Ø35 mm | C: Ø173 mm | D: Ø17 mm | F: 30 mm | H: 317 mm | K: 38,5 mm | L: Ø229 mm | M: 202 mm |
|---------------|--------------|---------------|--------------|-------------|--------------|---------------|---------------|--------------|

| | | | | | | | | |
|---|---|---|---|---|--|---|---|---|
|  |  |  |  |  |  |  |  |  |
| 55.4 kg | 360° | 100 kN | 50 kN | 2200 Nm | 25 l/min | 25 MPa | 25 MPa | 25 MPa |

Rotator with only axial connections for a grapple function.

Adapter sets are available for alternative connections.

For further technical information relating to integration and hydraulic connections, please contact rotator@indexator.com