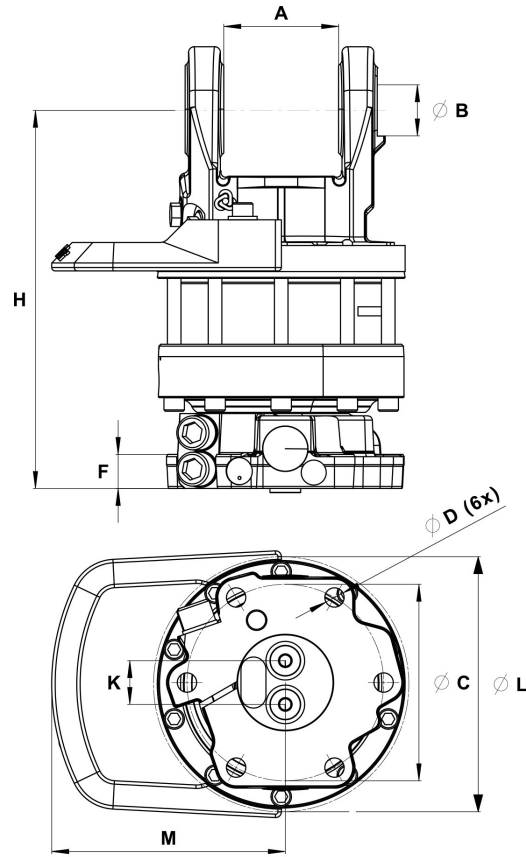
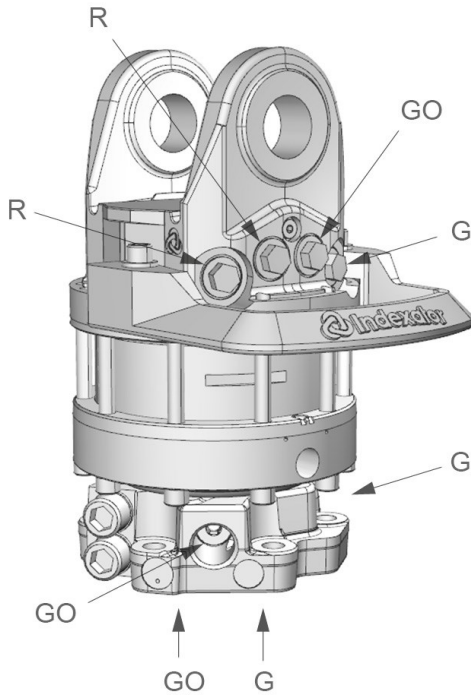


# GV 12S LS










Part No.: 5212475

- Load Sense<sup>1</sup>



Upper connection	Lower connection
G 1/2	G 1/2

A: 101 mm	B: Ø45 mm	C: Ø173 mm	D: Ø17 mm	F: 30 mm	H: 333 mm	K: 38,5 mm	L: Ø229 mm	M: 202 mm
--------------	--------------	---------------	--------------	-------------	--------------	---------------	---------------	--------------

		Max 	Max 		Max 	Max 	Max 	Max 
57.7 kg	360°	100 kN	50 kN	2200 Nm	25 l/min	25 MPa	25 MPa	25 MPa

<sup>1</sup> A rotator with the shortening LS is not equipped with restrictors (unlike our standard rotators). This means that the oil flow from the base machine has to be adapted.

Adapter sets are available for alternative connections.

For further technical information relating to integration and hydraulic connections, please contact [rotator@indexator.com](mailto:rotator@indexator.com)