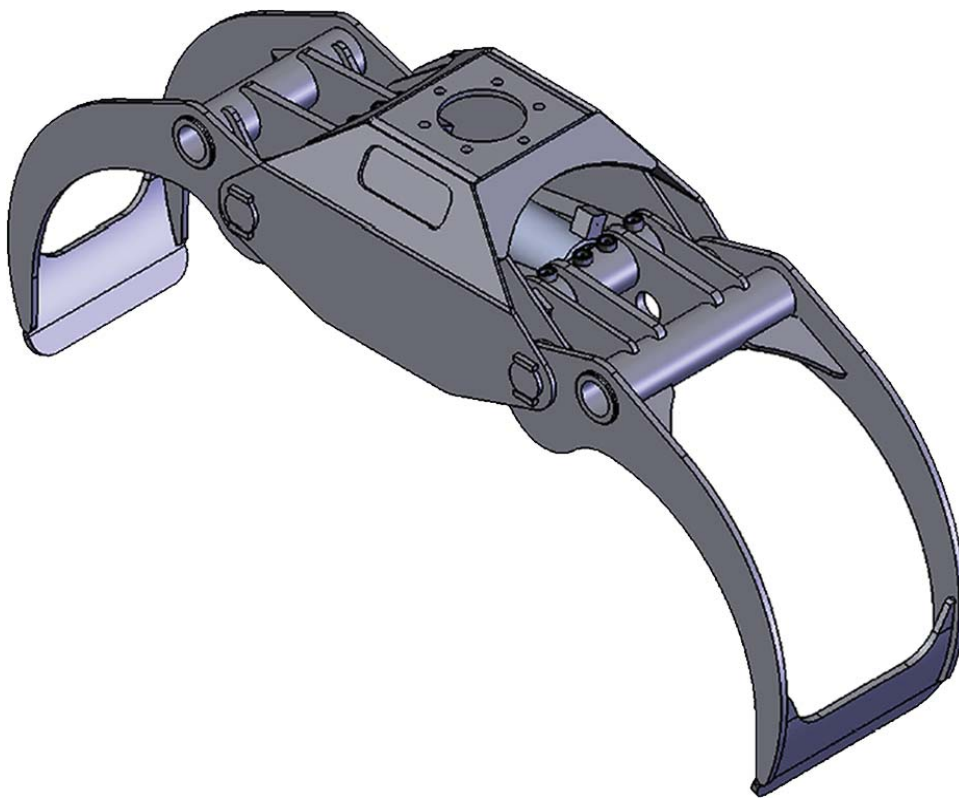
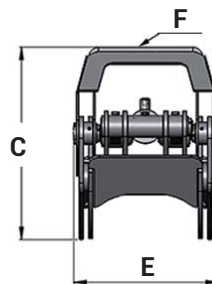
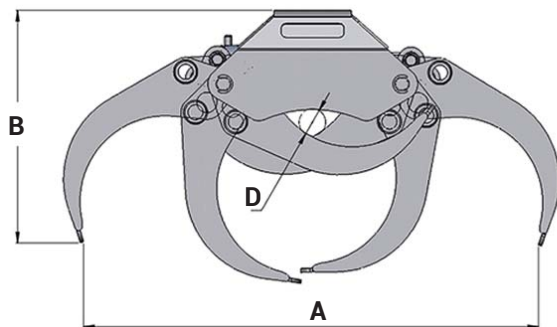


TIGERGRIP | TG 28



KEY FEATURES

- Double guide bars
- Optimized roll in/roll out properties
- High pressure cylinder with double piston rod seals
- High tensile wear resistant steel (400 HB)



A	1490
B	785
C	530
D	100
E	416
F	173/6

MODEL SPECIFICATIONS



TG 28

180

0,30

250

60

16,6

8

3

INTERMERCATO

High performance lift and load attachments for Forestry, Transport, Construction and Recycling.

