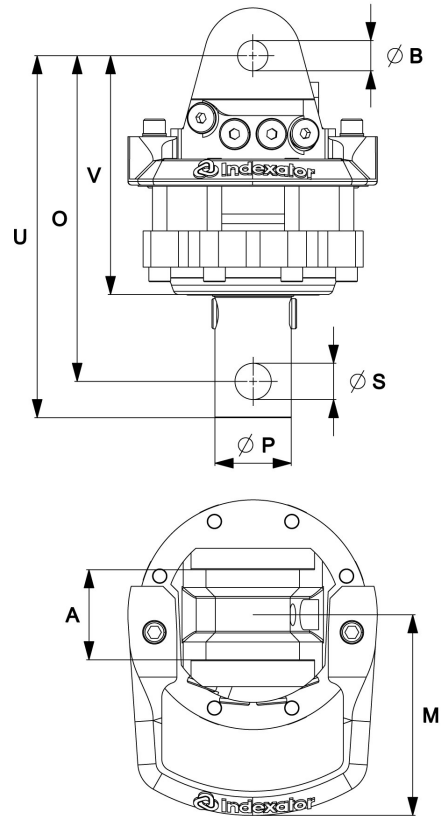
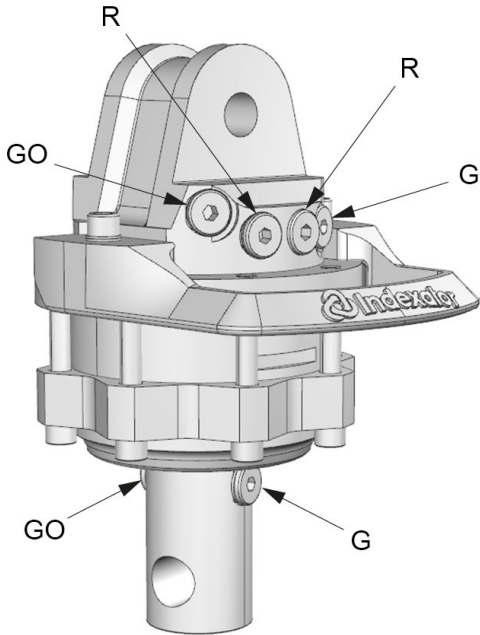











GV 4 -63/30

Part No.: 5002538



Upper connection	Lower connection
G 3/8	G 3/8

A: 75 mm	B: Ø25 mm	M: 166 mm	O: 269 mm	P: Ø63 mm	S: Ø30 mm	U: 299 mm	V: 198 mm
-------------	--------------	--------------	--------------	--------------	--------------	--------------	--------------

								
27 kg	360°	45 kN	25 kN	1150 Nm	12 l/min	25 MPa	30 MPa	30 MPa

Adapter sets are available for alternative connections.

For further technical information relating to integration and hydraulic connections, please contact rotator@indexator.com