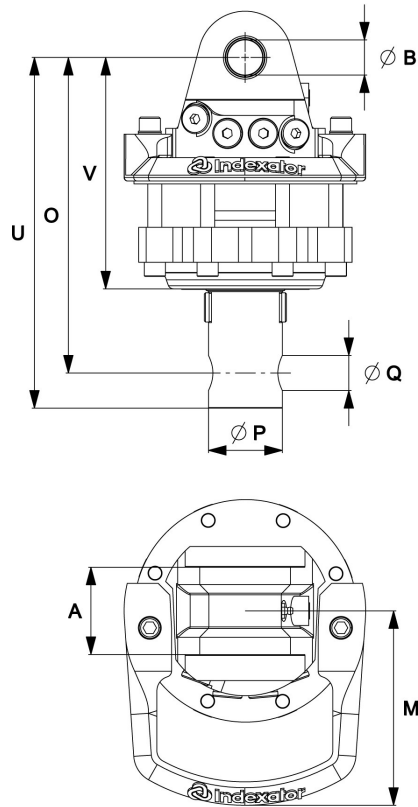
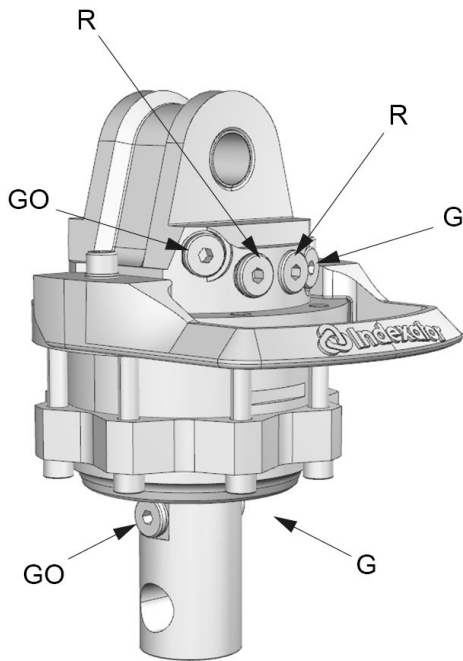


# GV 4/30 -63/30 P

Part No.: 5002584



Upper connection	Lower connection
G 3/8	G 3/8

A: 75 mm	B: Ø30 mm	M: 166 mm	O: 269 mm	P: Ø63 mm	Q: Ø30 mm	U: 299 mm	V: 198 mm
-------------	--------------	--------------	--------------	--------------	--------------	--------------	--------------

		Max 	Max 		Max 	Max 	Max 	Max 
26.8 kg	360°	45 kN	25 kN	1150 Nm	12 l/min	25 MPa	30 MPa	30 MPa

Rotator where the connections and tap hole through the shaft are parallel.

Adapter sets are available for alternative connections.

For further technical information relating to integration and hydraulic connections, please contact [rotator@indexator.com](mailto:rotator@indexator.com)