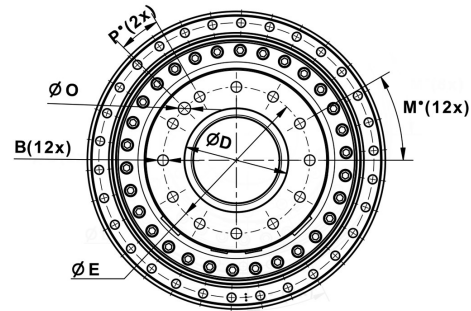
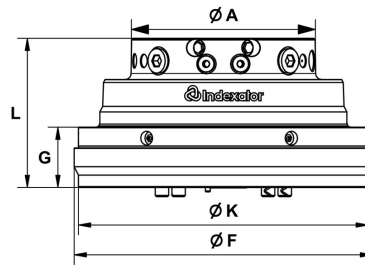
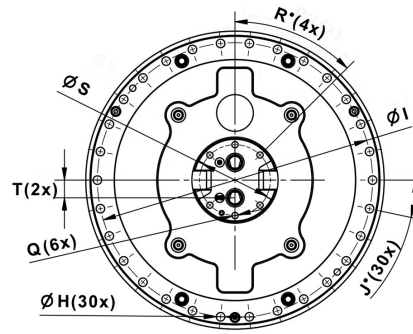
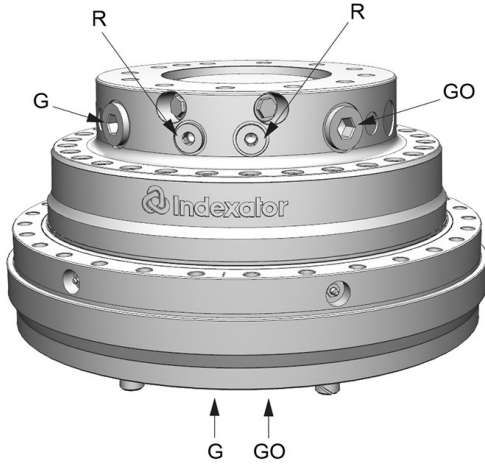


# XR 400 I

Part No.: 8400009



Upper	
G GO:	R:
G 1	G 1/2

A: Ø300 mm	B: M20	D: Ø170 mm	E: Ø240 mm	F: Ø488 mm	G: 99 mm	H: Ø14 mm	I: Ø450 mm	J: 12°	K: Ø474 mm	L: 244 mm	M: 30°	N: 30°	O: Ø20 mm
P: 45°	Q: M12	R: 45°	S: Ø116 mm	T: 29 mm									

180 kg	360°	±550 kN <sup>1</sup>	±200 kN	±140 kN	4100 Nm	35 l/min	25 MPa	40 MPa	40 MPa	40 MPa

<sup>1</sup> Max axial load static indicate theoretical max load for hanging applications without accelerations.

Rotator modified for mounting, part number 8000 775.

Oil distributor ordered separately

Pressure limiting valves fitted.

For further technical information relating to integration and hydraulic connections, please contact [rotator@indexator.com](mailto:rotator@indexator.com)