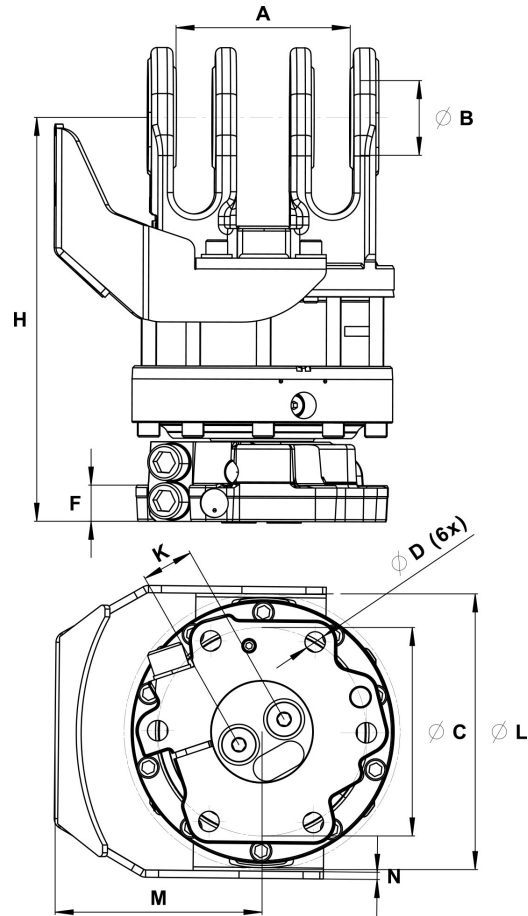
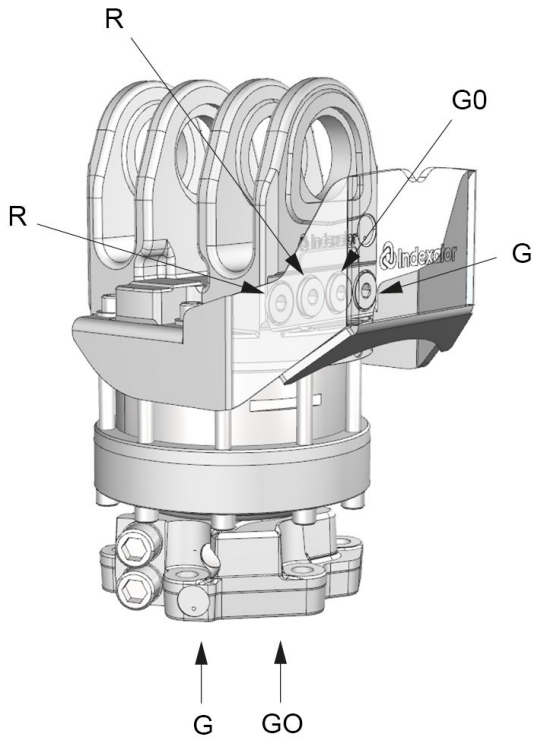


G 121 A Y LS

Part No.: 7212055

- Load Sense
- Protected Hose Routing



Upper connection	Lower connection
G 1/2	G 1/2

A:	B:	C:	D:	F:	G:	H:	I:	J:	K:	L:	M:	N:
MPB1	MPB	Ø173 mm	Ø17 mm	30 mm	391 mm	333 mm	218 mm	190 mm	43 mm	Ø229 mm	164 mm	6 mm

		Max	Max			Max	Max	Max	Max
57.1 kg	360°	100 kN	50 kN	2200 Nm	25 l/min	25 MPa	25 MPa	25 MPa	25 MPa

Rotator suitable for MPB swing dampers.

Rotator with only axial connections for a grapple function.

Adapter sets are available for alternative connections.

For further technical information relating to integration and hydraulic connections, please contact rotator@indexator.com