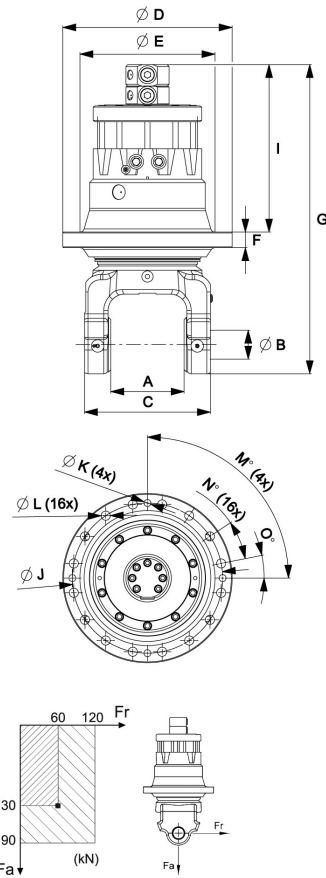
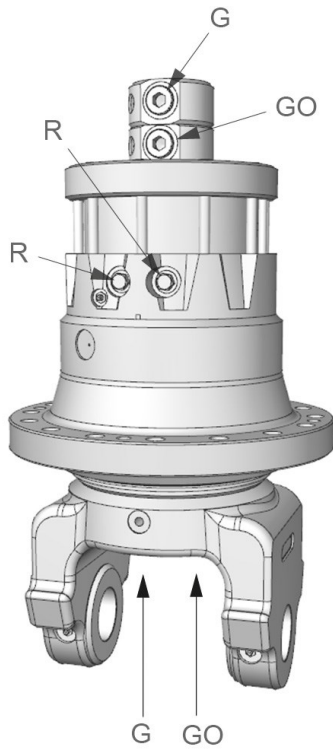


SR 211B

Part No.: 8000937



- Maximum dynamic load.
- Maximum combined load.
- Maximum peak load. (maximum 4% of working time).

Upper connection	Lower connection	Lower
1 1/16"-12 UNF	1 1/16"-12 UNF	R: 9/16"-18 UNF

A:	B:	C:	D:	E:	F:	G:	I:	J:	K:	L:	M:	N:	O:
168,9 mm	Ø66,67 mm	290 mm	Ø390 mm	Ø311,5 mm	36 mm	712 mm	386 mm	Ø346 mm	Ø16 mm	Ø21 mm	90°	22,5°	11,3°

		Max	Max		Max	Max	Max	Max	Max	Max	Max	Max	Max
198 kg	360°	±190 kN ¹	±130 kN ¹	4100 Nm	35 l/min	25 MPa	25 MPa	25 MPa	25 MPa	25 MPa	25 MPa	25 MPa	25 MPa

¹ See chart on the dimensional drawing.

For further technical information relating to integration and hydraulic connections, please contact rotator@indexator.com