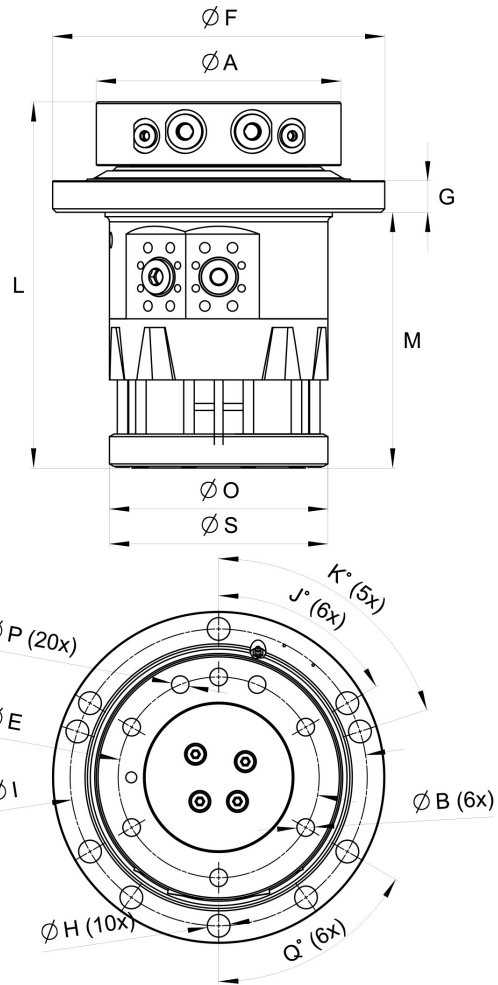
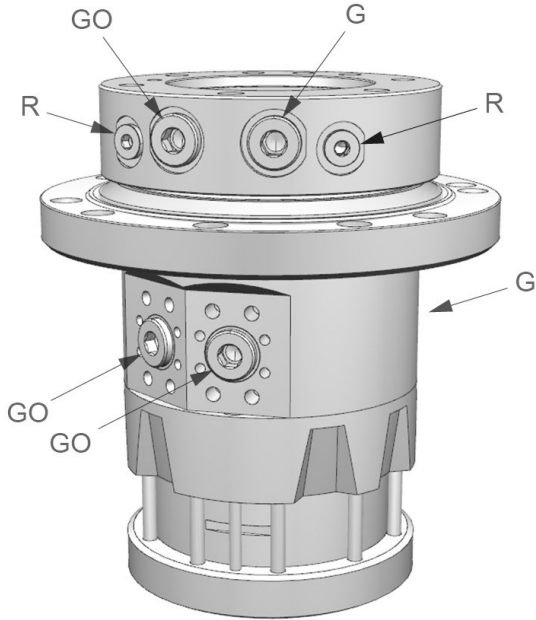


# IR 20 M24

Part No.: 8000513



Upper		Lower		
G GO: G 1	R: G 1/2	G: SAE 3000 DN 25 / SAE 6000 DN 32 / G 1	G0: SAE 3000 DN 25 / SAE 6000 DN 32 / G 1	G0: SAE 3000 DN 25 / SAE 6000 DN 32 / G 1

A: Ø280 mm	B: M24	E: Ø230 mm	F: Ø380 mm	G: 36 mm	H: Ø26 mm	I: Ø340 mm	J: 60°	K: 72°	L: 420 mm	M: 293 mm	O: Ø250 mm	P: Ø20 mm	Q: 60°
S: Ø260 mm													

151 kg	360°	±450 kN	±150 kN	4100 Nm	35 l/min	25 MPa	35 MPa	35 MPa	35 MPa

Pressure limiting valves fitted in the motor.

For further technical information relating to integration and hydraulic connections, please contact [rotator@indexator.com](mailto:rotator@indexator.com)