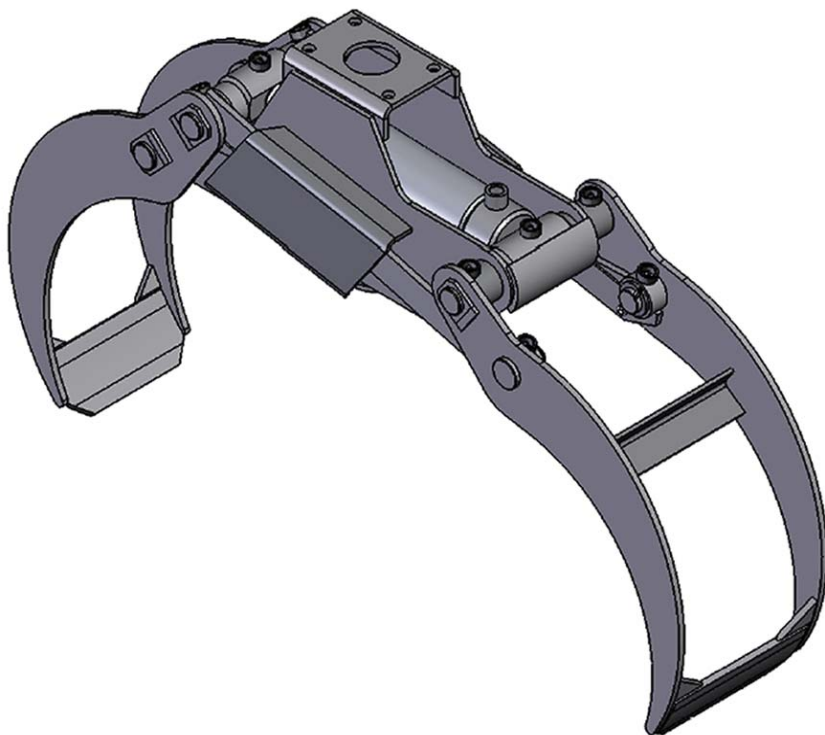
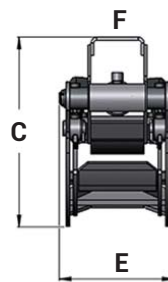
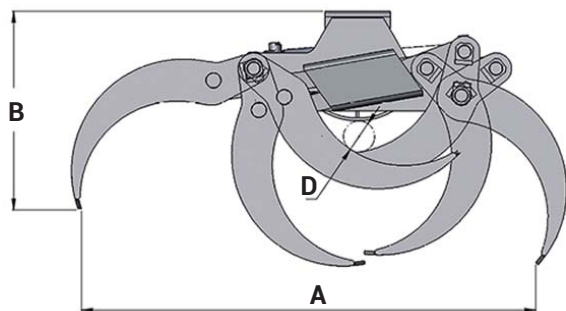


TIGERGRIP | TG 22



KEY FEATURES

- Double guide bars
- Optimized roll in/roll out properties
- High pressure cylinder with double piston rod seals



A	1310
B	576
C	514
D	90
E	311
F	173/4

MODEL SPECIFICATIONS



TG 22

98

0,22

200

50

13,5

3

1,5

INTERMERCATO

High performance lift and load attachments for Forestry, Transport, Construction and Recycling.

