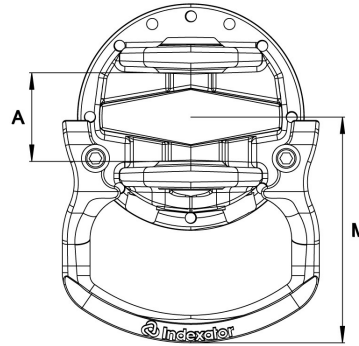
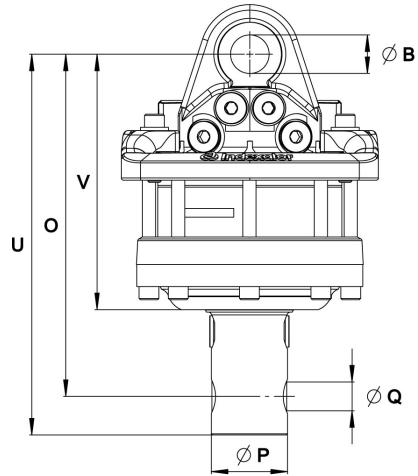
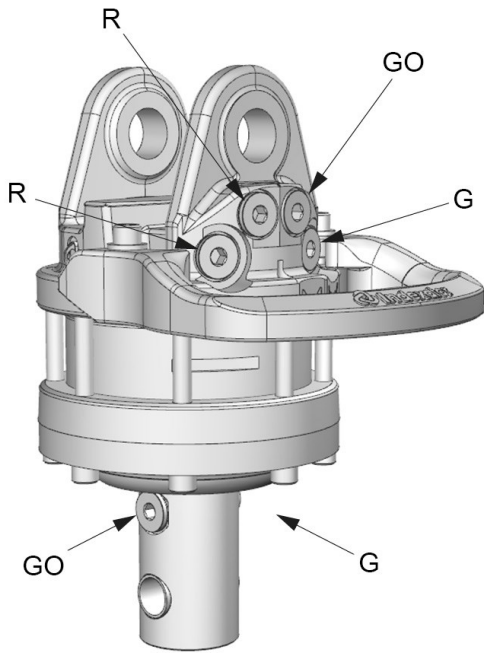










GV 6 -69/30 P

Part No.: 5006296



Upper connection	Lower connection
G 1/2	G 1/2

A: 80,5 mm	B: Ø35 mm	M: 205 mm	O: 311 mm	P: Ø69 mm	Q: Ø30 mm	U: 346 mm	V: 232 mm
---------------	--------------	--------------	--------------	--------------	--------------	--------------	--------------

		Max 	Max 		Max 	Max 	Max 
39 kg	360°	60 kN	25 kN	1400 Nm	25 l/min	20 MPa	20 MPa
							30 MPa

Rotator where the connections and tap hole through the shaft are parallel.

Adapter sets are available for alternative connections.

For further technical information relating to integration and hydraulic connections, please contact rotator@indexator.com